



Antenna Installation Kit Quick-Start Guide

Antenna Installation

The parts shown in *Figure 1* are included in the antenna installation kit.

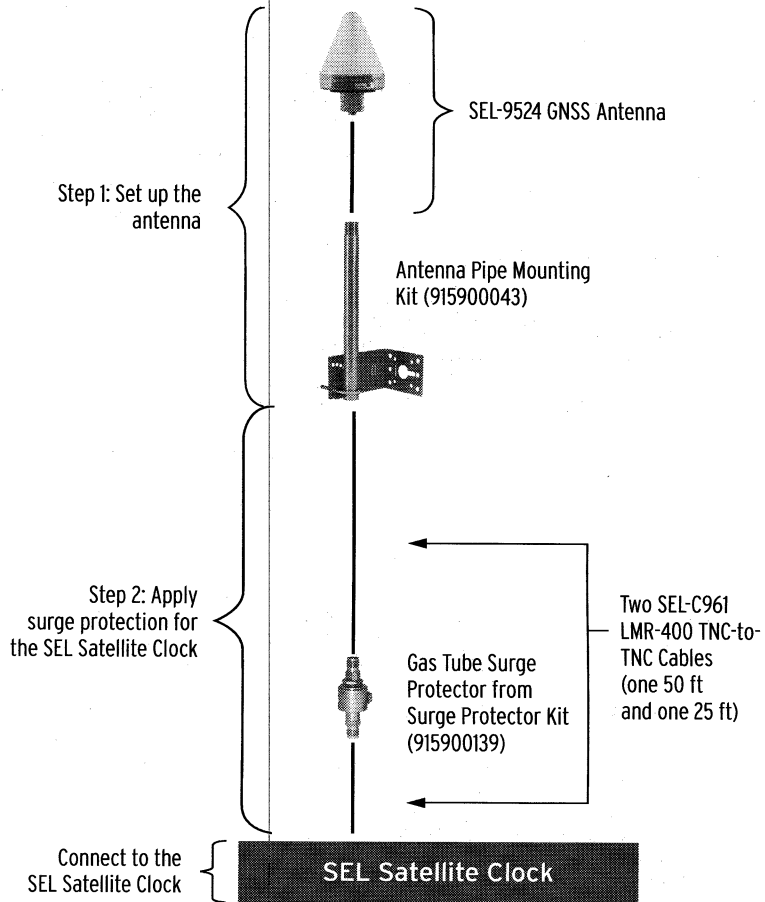


Figure 1 Antenna Installation Steps

Step 1: Set Up the Antenna

This step describes the steps to mount the antenna and install cabling. The Antenna Installation Kit includes a pipe-mounting kit that can be used to mount the antenna to either a wall or an existing pipe.

Antenna Pipe Mounting Kit (SEL Part Number 915900043)

Assemble the Antenna Pipe Mounting Kit in one of two configurations. The first configuration is for pipe-mounting your antenna to a wall, and the second is for pipe-mounting to an existing pipe.

NOTE: For the best signal acquisition, mount the antenna with a clear and unobstructed view of the sky in all directions.

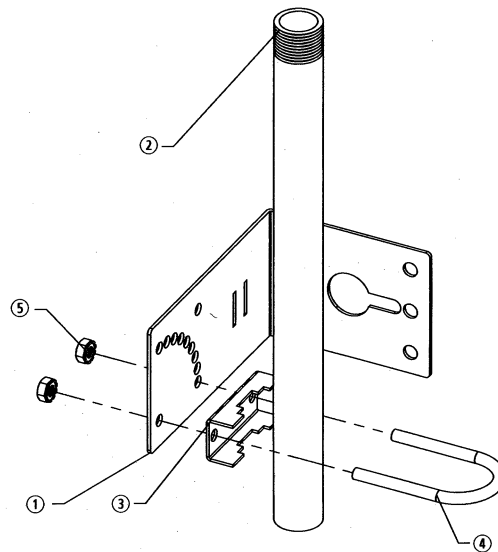
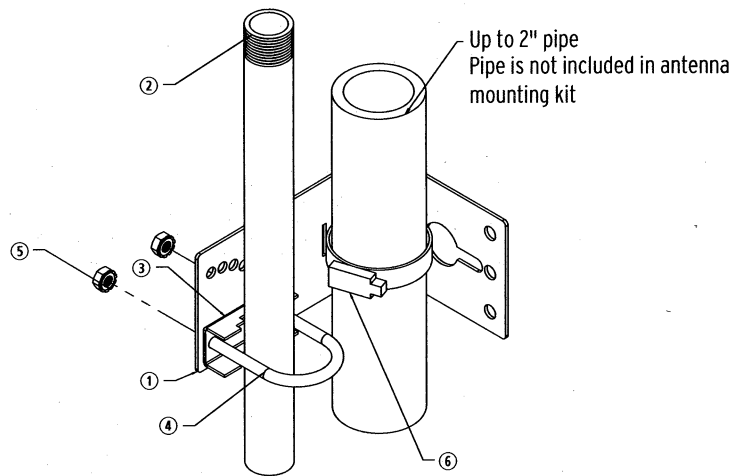


Figure 2 Pipe Mount on Wall



Item	Description	Qty.
1	Bracket, Antenna Mount	1
2	Mast, Pole Mount	1
3	Bracket, Stepped, U-Bolt Mount	1
4	U-Bolt, 1.75", SS	1
5	Nut, 1/4-20, 18-8 SS	2
6	Clamp, Worm-Drive, Pipe, 3.125-6"	1

Figure 3 Pipe Mount on Existing Pipe

SEL-9524 GNSS Antenna

The Antenna Installation Kit will include an SEL-9524A GPS GNSS Antenna or an SEL-9524B GPS/GLONASS GNSS Antenna. Instructions for how to install the antenna are outlined below.

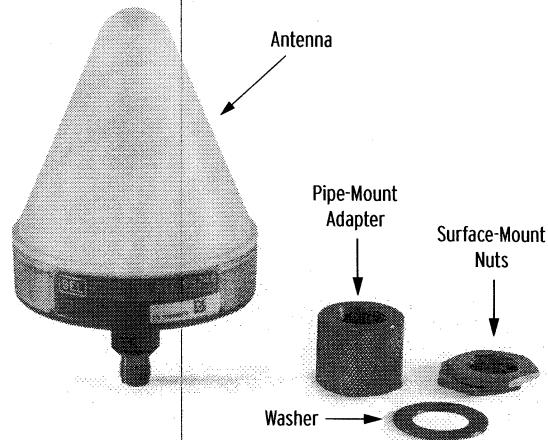


Figure 4 SEL-9524 GNSS Antenna

The pipe-mount adapter is designed to be mounted on a 1-inch outside diameter tube with 1"-14 straight thread, such as the mast included in the Antenna Pipe Mounting Kit (915900043).

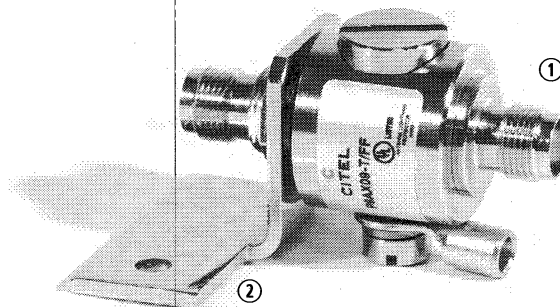
Antenna Assembly Instructions for Pipe Mounting

- Step 1. When mounting to a pipe, feed one end of LMR-400 coaxial cable through the pipe, and attach the end of the cable to your antenna by using its TNC connector.
- Step 2. Using the pipe-mount adapter, attach the antenna to its pipe.
- Step 3. Mount the antenna in an area with a clear, unobstructed view of the sky.

Step 2: Apply Surge Protection

This step outlines best practices for installing surge protection for the antenna system. The surge protector protects the clock from high-energy events.

The Gas Tube Coaxial Surge Protector and Mounting Kit (SEL Part Number 915900139) in *Figure 5* is sold separately.



Item	Description	Qty.
1	Gas Tube Coaxial Surge Protector	1
2	Protector Mounting Bracket	1

Figure 5 Gas Tube Coaxial Surge Protector and Mounting Kit

Surge Protector Installation

NOTE: In all clock installations, mount the surge protector at the building or enclosure entrance, and ground the surge protector body to the building grounding system.

- Step 1. Use the nut included with the kit to attach the surge protector to the mounting bracket.
- Step 2. Using the coaxial cable, attach one end of the protector to the antenna and the other end to the clock.
- Step 3. Ground the surge protector body, as shown in *Figure 6*.

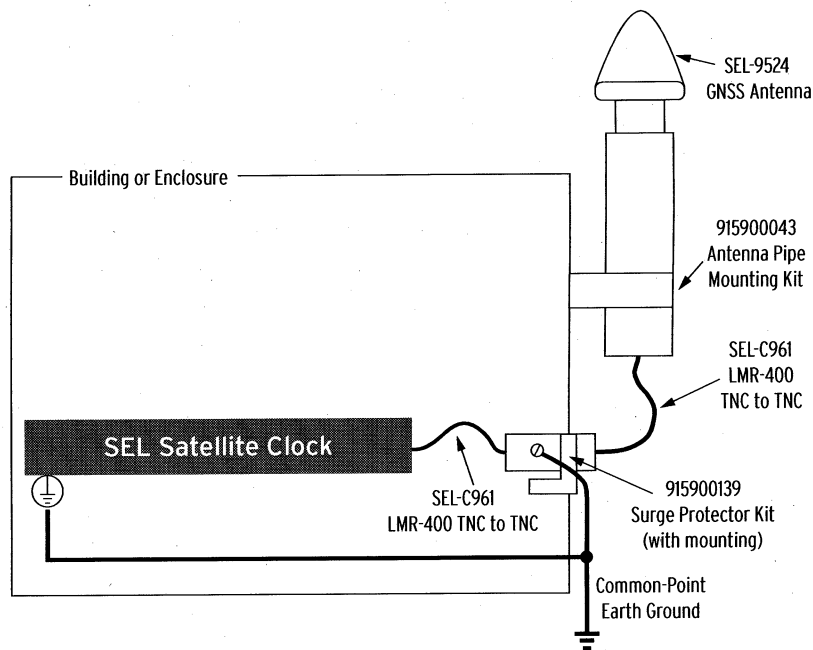


Figure 6 Surge Protector Installation

Factory Assistance

We appreciate your interest in SEL products and services. If you have questions or comments, please contact us at:

Schweitzer Engineering Laboratories, Inc.
 2350 NE Hopkins Court
 Pullman, WA 99163-5603 U.S.A.
 Telephone: +1.509.332.1890
 Fax: +1.509.332.7990
 Internet: www.selinc.com
 Email: info@selinc.com

© 2016 by Schweitzer Engineering Laboratories, Inc. All rights reserved.

All brand or product names appearing in this document are the trademark or registered trademark of their respective holders. No SEL trademarks may be used without written permission. SEL products appearing in this document may be covered by U.S. and Foreign patents.

Schweitzer Engineering Laboratories, Inc. reserves all rights and benefits afforded under federal and international copyright and patent laws in its products, including without limitation software, firmware, and documentation.

The information in this document is provided for informational use only and is subject to change without notice. Schweitzer Engineering Laboratories, Inc. has approved only the English language document.

This product is covered by the standard SEL 10-year warranty. For warranty details, visit www.selinc.com or contact your customer service representative.

SCHWEITZER ENGINEERING LABORATORIES, INC.

2350 NE Hopkins Court • Pullman, WA 99163-5603 U.S.A.
 Tel: +1.509.332.1890 • Fax: +1.509.332.7990
www.selinc.com • info@selinc.com

