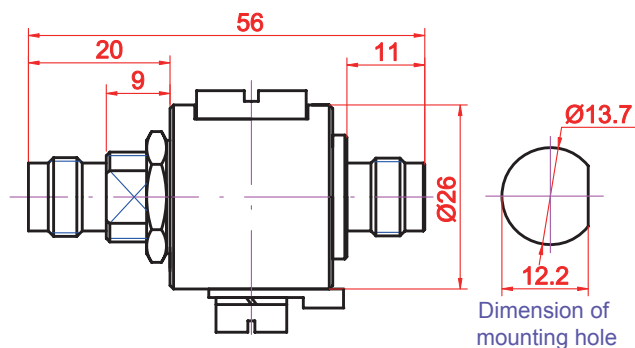


P8AX_-T/FF

Dimensions (in mm)



Technical Specifications

Type	P8AX_-T/FF			
	P8AX09	P8AX15	P8AX25	P8AX50
PN:	60311	60312	60314	60317
Impedance	50Ω			
Frequency range	DC to 3.5GHz		DC to 2.0GHz	DC to 3.5GHz
VSWR	≤ 1.2			
Insertion loss	≤ 0.2dB			
Max. peak power	25W	70W	190W	770W
D.C. spark-over voltage (100V/s)	90V +/-20%	150V +/-20%	250V +/-20%	500V +/-20%
Impulse spark-over voltage (1kV/μs)	≤700V	≤700V	≤750V	≤1150V
Max. discharge current (8/20μs)	20kA			
Insulation (50 or 100 Vdc)	>10GΩ			
Connectors	TNC Female to TNC Bulkhead Female			
Operating temperature	-40°C to +85°C			
Waterproof degree	IP65 Min.			
Rohs	Yes			
Weight	103g			

Material

Component	Body	Male contacts	Female contacts	Insulators
Material	Brass	-	Bronze	PTFE
Surface Plating	Cu、Zn、Sn	-	Gold or Silver	-

Data	Plan NO.
14/04/2011	SCOE.07.0108B